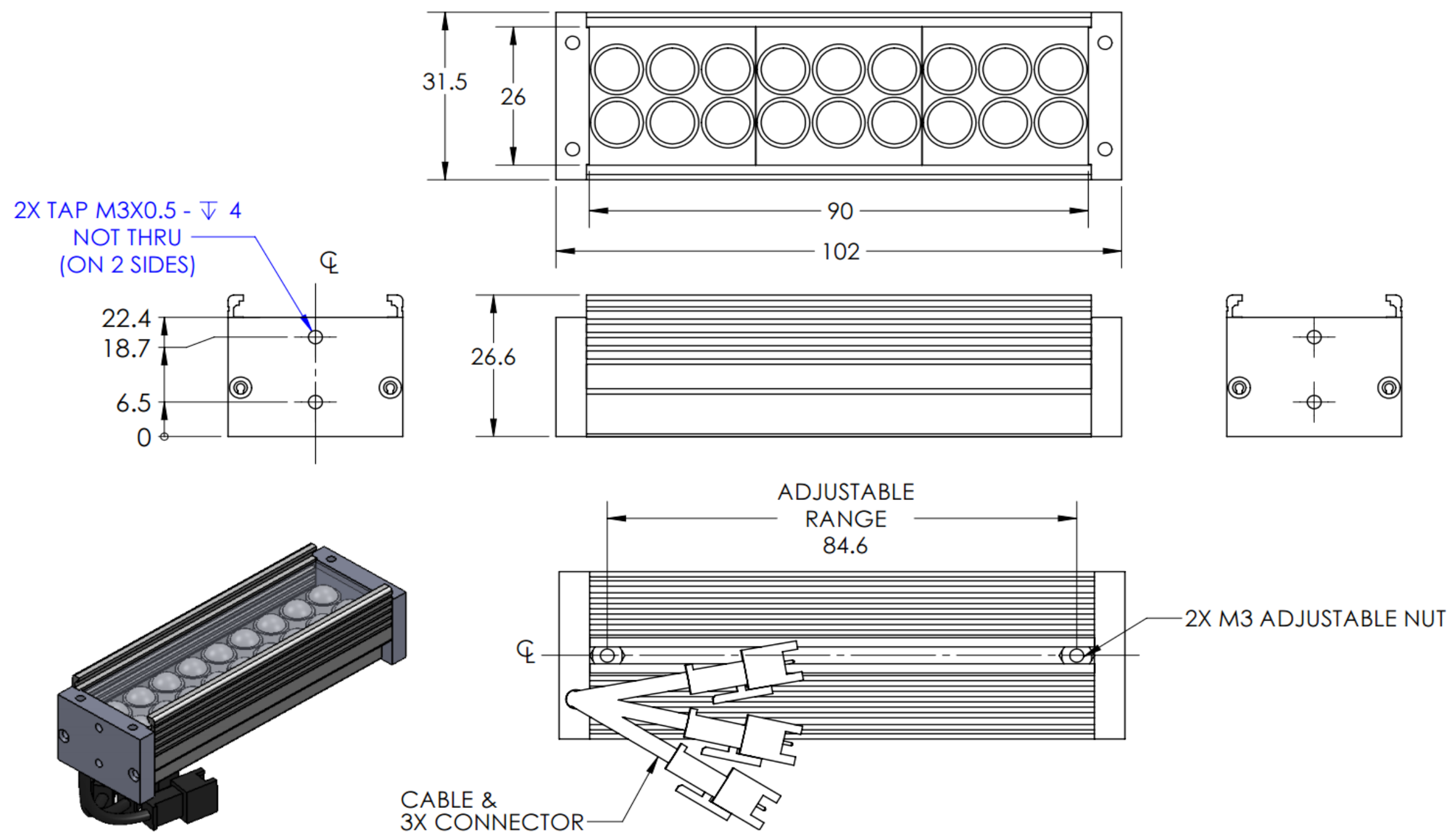




# ILLUMINATOR DATA-ID

## MLBX2-00-090-2-RGB-24V

### Lighting Dimension




Mechanical Information	
Casing Material	Aluminium
Storage Temperature Range	Temp 0-45°C, Humidity 20-85%
Weight	120 g
Length / Outer Diameter	102 mm
Width / Inner Diameter	31.5 mm
Thickness / Height	26.6 mm



# ILLUMINATOR DATA-ID

## MLBX2-00-090-2-RGB-24V

Optical Information											
Part Number	MLBX2-00-090-2-RGB-24V										
LED Color	RED			GREEN			BLUE				
Wavelength	(nm)	630			525			470			
Intensity (±15%)	(Lux)	TBA	TBA	TBA	TBA	TBA	TBA	TBA	TBA	TBA	
Working Distance	(mm)	TBA	TBA	TBA	TBA	TBA	TBA	TBA	TBA	TBA	
Illumination (number of row)	2										
Illumination Active Area											
Active Length / Outer Diameter	(mm)	90									
Active Width / Inner Diameter	(mm)	26									
Emission angle	(deg.)	0									
Eye Safety Class ( IEC62471 )	EXEMPT			EXEMPT			II				
Electrical Information											
Lighting Supply Voltage (constant voltage mode)	24V ± 2%										
Continuous Current	(mA)	RED	75		GREEN	60		BLUE	60		
Power Consumption	(W)		1.8			1.44			1.44		
Lighting casing temperature, Operating after 60 minutes	°C		51.5			51.5			51.5		
Max. continous current of RED, GREEN & BLUE LEDs on at the same time	(mA)	RED, GREEN & BLUE LEDs on at the same time are not recommended									
Strobe Mode Specification											
Pulse Operation	YES										
Max. Lighting Supply Voltage (Constant voltage power supply)	(V)	Pulsing at 24VDC to 48VDC, 0-10% Duty Cycle, Recommended at 36VDC									
Pulse Current, (Max. 10msec) (Constant current power supply)	(mA)	RED	225		GREEN	180		BLUE	180		
Max. pulse current of RED, GREEN & BLUE LEDs on at the same time	(V)	RED, GREEN & BLUE LEDs on at the same time are not recommended									
Max. Trigger Pulse Duration	(msec)	10									
Duty Cycle	0-10%										
Additional Information											
Additional Cooling Method	Attached to machine part for better heat dissipation										
Intensity Controller Selection	ANG, SD, ST & SDA Series										
CE Conformity	YES										
RoHS Compliance	YES										
Connection											
Connector Type (Default):	JST SMR-03V										
Cable Length out from lighting :	(mm)	500									
Pin Configuration :		Pin			Signal			Cable Color			
		1			LED +			RED			
		2			N.C.			---			
		3			LED -			WHITE			
											
Application											
Illumination Type	Direct Illumination										
Appicattion Use	General illumination, label inspection, character inspection, code recognition.										



**VISION CONSULTANCY**  
MAKING THE UNSEEN VISIBLE

Thank you for downloading this document from  
[www.machine-vision-shop.com](http://www.machine-vision-shop.com)

If you have any questions, you need help composing the  
right package for your application or do you want to order?

Feel free to contact us via e-mail at [sales@vision-consultancy.nl](mailto:sales@vision-consultancy.nl) or visit our webshop.

Our vision experts are happy to help you.



Natascha Overhof



Christian Cromptvoets



**VISION CONSULTANCY**

Robert Schumandomein 2  
6229 ES Maastricht  
The Netherlands

+31 (0) 438 522 651

[sales@vision-consultancy.nl](mailto:sales@vision-consultancy.nl)  
[www.machine-vision-shop.com](http://www.machine-vision-shop.com)

Scan me to visit  
[machine-vision-shop](http://machine-vision-shop.com)

