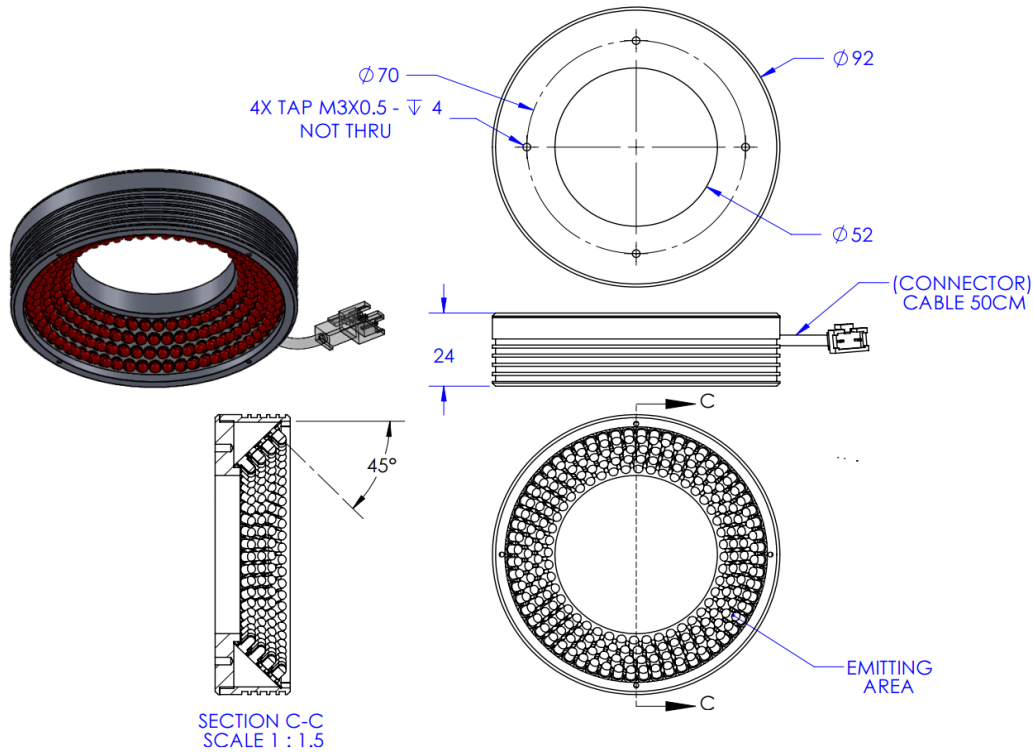




# ILLUMINATOR DATA-ID

## LSW-45-090-4-B-24V

### Lighting Dimension




Mechanical Information	
Casing Material	Aluminium
Storage Temperature Range	Temp 0 - 45°C, Humidity 20-85%
Weight	200 g
Length / Outer Diameter	92 mm
Width / Inner Diameter	52 mm
Thickness / Height	24 mm



# ILLUMINATOR DATA-ID

## LSW-45-090-4-B-24V

Optical Information							
Part Number		LSW-45-090-4-B-24V					
LED Color		BLUE					
Wavelength	(nm)	470					
Intensity (±15%)	(Lux)	44300	44400	45900	69400	70400	71900
Working Distance	(mm)	15	20	25	30	35	40
Illumination (number of row)		4					
Illumination Active Area							
Active Length / Outer Diameter	(mm)	84					
Active Width / Inner Diameter	(mm)	57.2					
Emission angle	(deg.)	45					
Eye Safety Class ( IEC62471 )		II					
Electrical Information							
Lighting Supply Voltage (constant voltage mode)		24V ± 2%					
Continuous Current	(mA)	435					
Power Consumption	(W)	10.44					
Lighting casing temperature, Operating after 60 minutes	°C	67					
Strobe Mode Specification							
Pulse Operation		YES					
Max. Lighting Supply Voltage (Constant voltage power supply)	(V)	Pulsing at 24VDC to 48VDC, 0-10% Duty Cycle, Recommended at 36VDC					
Pulse Current, (Max. 10msec) (Constant current power supply)	(mA)	1305					
Max. Trigger Pulse Duration	(msec)	10					
Duty Cycle		0-10%					
Additional Information							
Additional Cooling Method		Attached to machine part for better heat dissipation					
Intensity Controller Selection		ANG, ST, SD and SDA Series					
CE Conformity		YES					
RoHS Compliance		YES					
Connection							
Connector Type (Default):		JST SMR-03V					
Cable Length out from lighting :	(mm)	500					
Pin Configuration :		Pin	Signal	Cable Color			
		1	LED +	RED			
		2	N.C.	---			
		3	LED -	WHITE			
							
Application							
Illumination Type		Direct Illumination					
Applicattion Use		Substrate inspection, label inspection, flat surface, fiducially recognition.					



**VISION CONSULTANCY**  
MAKING THE UNSEEN VISIBLE

Thank you for downloading this document from  
[www.machine-vision-shop.com](http://www.machine-vision-shop.com)

If you have any questions, you need help composing the  
right package for your application or do you want to order?

Feel free to contact us via e-mail at [sales@vision-consultancy.nl](mailto:sales@vision-consultancy.nl) or visit our webshop.

Our vision experts are happy to help you.



Natascha Overhof



Christian Cromptvoets



**VISION CONSULTANCY**

Robert Schumandomein 2  
6229 ES Maastricht  
The Netherlands

+31 (0) 438 522 651

[sales@vision-consultancy.nl](mailto:sales@vision-consultancy.nl)  
[www.machine-vision-shop.com](http://www.machine-vision-shop.com)

Scan me to visit  
[machine-vision-shop](http://machine-vision-shop.com)

