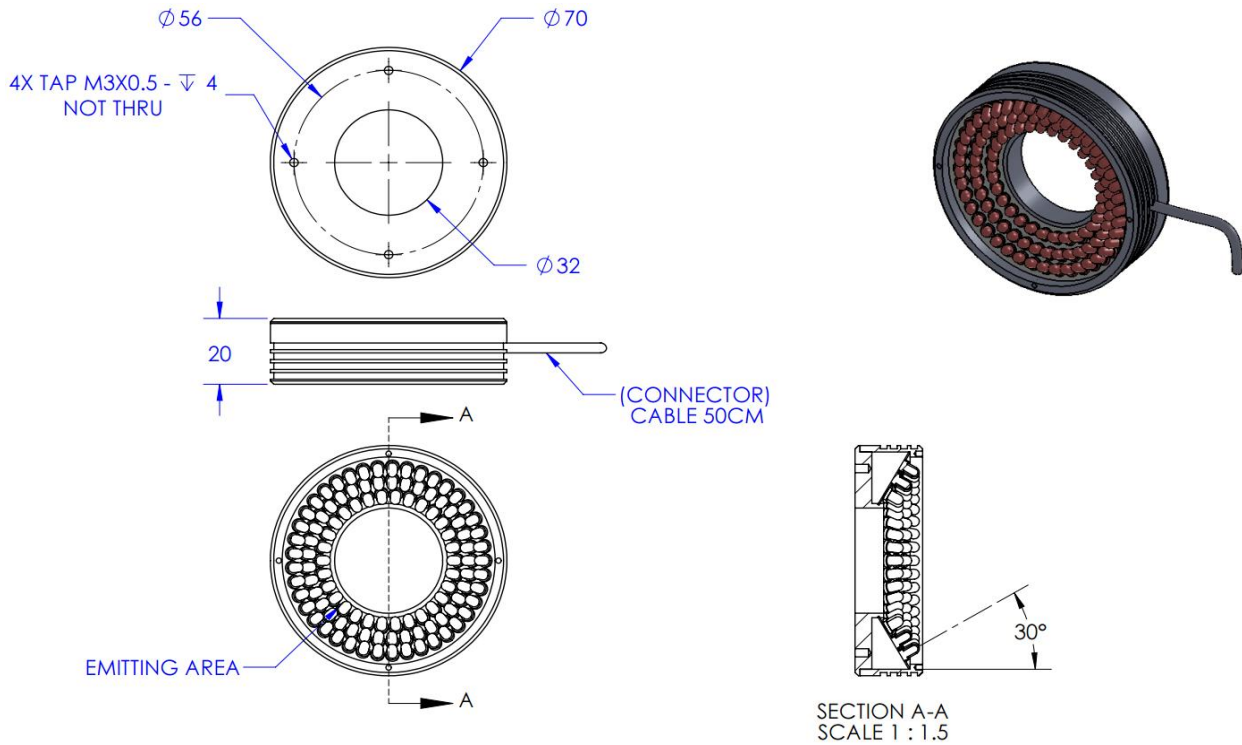




# ILLUMINATOR DATA-ID

## LSW-30-070-3-B-12V

### Lighting Dimension




| Mechanical Information    |                                |
|---------------------------|--------------------------------|
| Casing Material           | Aluminium                      |
| Storage Temperature Range | Temp 0 - 45°C, Humidity 20-85% |
| Weight                    | 120 g                          |
| Length / Outer Diameter   | 70 mm                          |
| Width / Inner Diameter    | 32 mm                          |
| Thickness / Height        | 20 mm                          |



# ILLUMINATOR DATA-ID

## LSW-30-070-3-B-12V

| Optical Information   |        |  |        |             |
|---|--------|--|--------|-------------|
| Part Number   |        | LSW-30-070-3-B-12V   |        |             |
| LED Color   |        | BLUE   |        |             |
| Wavelength  | (nm)   | 470  |        |             |
| Intensity (±15%)  | (Lux)  | TBA  | TBA    | TBA         |
| Working Distance  | (mm)   | 32   | 37     | 42          |
| Illumination (number of row)                                    |        | 3  |        |             |
| Illumination Active Area  |        |  |        |             |
| Active Length / Outer Diameter                                  | (mm)   | 62   |        |             |
| Active Width / Inner Diameter                                   | (mm)   | 32   |        |             |
| Emission angle  | (deg.) | 30   |        |             |
| Eye Safety Class ( IEC62471 )                                   |        | II   |        |             |
| Electrical Information  |        |  |        |             |
| Lighting Supply Voltage<br>(constant voltage mode)              |        | 12V ± 2%   |        |             |
| Continuous Current  | (mA)   | 350  |        |             |
| Power Consumption   | (W)    | 4.2  |        |             |
| Lighting casing temperature,<br>Operating after 60 minutes      | °C     | TBA  |        |             |
| Strobe Mode Specification                                       |        |  |        |             |
| Pulse Operation   |        | YES  |        |             |
| Max. Lighting Supply Voltage<br>(Constant voltage power supply) | (V)    | Pulsing at 12VDC to 24VDC, 0-10% Duty Cycle, Recommended at 18VDC                    |        |             |
| Pulse Current, (Max. 10msec)<br>(Constant current power supply) | (mA)   | 1050   |        |             |
| Max. Trigger Pulse Duration                                     | (msec) | 10   |        |             |
| Duty Cycle  |        | 0-10%  |        |             |
| Additional Information  |        |  |        |             |
| Additional Cooling Method                                       |        | Attached to machine part for better heat dissipation                                 |        |             |
| Intensity Controller Selection                                  |        | ANG, ST, SD and SDA Series   |        |             |
| CE Conformity   |        | YES  |        |             |
| RoHS Compliance   |        | YES  |        |             |
| Connection  |        |  |        |             |
| Connector Type (Default):                                       |        | JST SMR-02V  |        |             |
| Cable Length out from lighting :                                | (mm)   | 500  |        |             |
| Pin Configuration :   |        | Pin  | Signal | Cable Color |
|   |        | 1  | LED +  | RED         |
|   |        | 2  | LED -  | WHITE       |
|   |        |  |        |             |
| Application   |        |  |        |             |
| Illumination Type   |        | Direct Illumination  |        |             |
| Application Use   |        | Substrate inspection, label inspection, flat surface, fiducially recognition.        |        |             |



**VISION CONSULTANCY**  
MAKING THE UNSEEN VISIBLE

Thank you for downloading this document from  
[www.machine-vision-shop.com](http://www.machine-vision-shop.com)

If you have any questions, you need help composing the  
right package for your application or do you want to order?

Feel free to contact us via e-mail at [sales@vision-consultancy.nl](mailto:sales@vision-consultancy.nl) or visit our webshop.

Our vision experts are happy to help you.



Natascha Overhof



Christian Cromptvoets



**VISION CONSULTANCY**

Robert Schumandomein 2  
6229 ES Maastricht  
The Netherlands

+31 (0) 438 522 651

[sales@vision-consultancy.nl](mailto:sales@vision-consultancy.nl)  
[www.machine-vision-shop.com](http://www.machine-vision-shop.com)

Scan me to visit  
[machine-vision-shop](http://machine-vision-shop.com)

