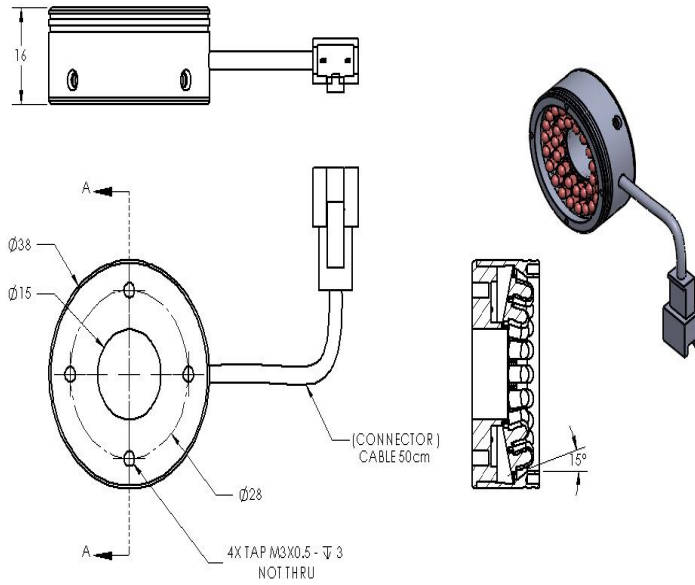




ILLUMINATOR DATA (ID)

LSW-15-038-2-W-24V

Lighting Dimension




Mechanical Information	
Casing Material	Aluminium
Storage Temperature Range	Temp 0-45°C, Humidity 20-85%
Weight	32 g
Length / Outer Diameter	38 mm
Width / Inner Diameter	15 mm
Thickness / Height	10.3 mm



ILLUMINATOR DATA (ID)

LSW-15-038-2-W-24V

Optical Information																					
Part Number	LSW-15-038-2-W-24V																				
LED Color	WHITE																				
Wavelength	(nm) *Refer to chromaticity table																				
Intensity (±15)	(Lux) 40500 32300 28000																				
Working Distance	(mm) 59 64 69																				
Illumination (number of row)	2																				
Illumination Active Area																					
Active Length / Outer Dia.	(mm) 38																				
Active Width / Inner Dia.	(mm) 15																				
Emission angle	(deg.) 15																				
Eye Safety Class (IEC62471)	EXEMPT																				
*CHROMATICITY TABLE																					
	<table border="1"> <tr> <td>X</td> <td>0.296</td> <td>0.287</td> <td>0.307</td> <td>0.311</td> <td>X</td> <td>0.311</td> <td>0.307</td> <td>0.33</td> <td>0.33</td> </tr> <tr> <td>Y</td> <td>0.276</td> <td>0.295</td> <td>0.315</td> <td>0.294</td> <td>Y</td> <td>0.294</td> <td>0.315</td> <td>0.339</td> <td>0.318</td> </tr> </table>	X	0.296	0.287	0.307	0.311	X	0.311	0.307	0.33	0.33	Y	0.276	0.295	0.315	0.294	Y	0.294	0.315	0.339	0.318
X	0.296	0.287	0.307	0.311	X	0.311	0.307	0.33	0.33												
Y	0.276	0.295	0.315	0.294	Y	0.294	0.315	0.339	0.318												
Electrical Information																					
Lighting Supply Voltage (constant voltage mode)	24V ± 2%																				
Continuous Current	(mA) 90																				
Power Consumption	(W) 2.16																				
Lighting casing temperature, Operating after 60 minutes	°C 62.5																				
Strobe Mode Specification																					
Pulse Operation	YES																				
Max. Lighting Supply Voltage (Constant voltage power supply)	(V) Pulsing at 24VDC to 48VDC, 0-10% Duty Cycle Recommended at 36VDC																				
Pulse Current, (Max. 10msec) (Constant current power supply)	(mA) 270																				
Max. Trigger Pulse Duration	(msec) 10																				
Duty Cycle	0-10%																				
Additional Information																					
Additional Cooling Method	Attached to machine part for better heat dissipation																				
Intensity Controller Selection	ANG, SD, SDA and ST series																				
CE Conformity	YES																				
RoHS Compliance	YES																				
Connection																					
Connector Type (Default):	JST SMR-03V																				
Cable Length out from lighting :	(mm) 500																				
Pin Configuration :	Pin	Signal	Cable Color																		
	1	LED +	RED																		
	2	N.C.	---																		
	3	LED -	WHITE																		
																					
Application																					
Illumination Type	Direct Illumination																				
Application Use	substrate inspection, label inspection, flat surface, fiducially recognition																				



VISION CONSULTANCY
MAKING THE UNSEEN VISIBLE

Thank you for downloading this document from
www.machine-vision-shop.com

If you have any questions, you need help composing the
right package for your application or do you want to order?

Feel free to contact us via e-mail at sales@vision-consultancy.nl or visit our webshop.

Our vision experts are happy to help you.



Natascha Overhof



Christian Cromptvoets



VISION CONSULTANCY

Robert Schumandomein 2
6229 ES Maastricht
The Netherlands

+31 (0) 438 522 651

sales@vision-consultancy.nl
www.machine-vision-shop.com

Scan me to visit
[machine-vision-shop](http://machine-vision-shop.com)

