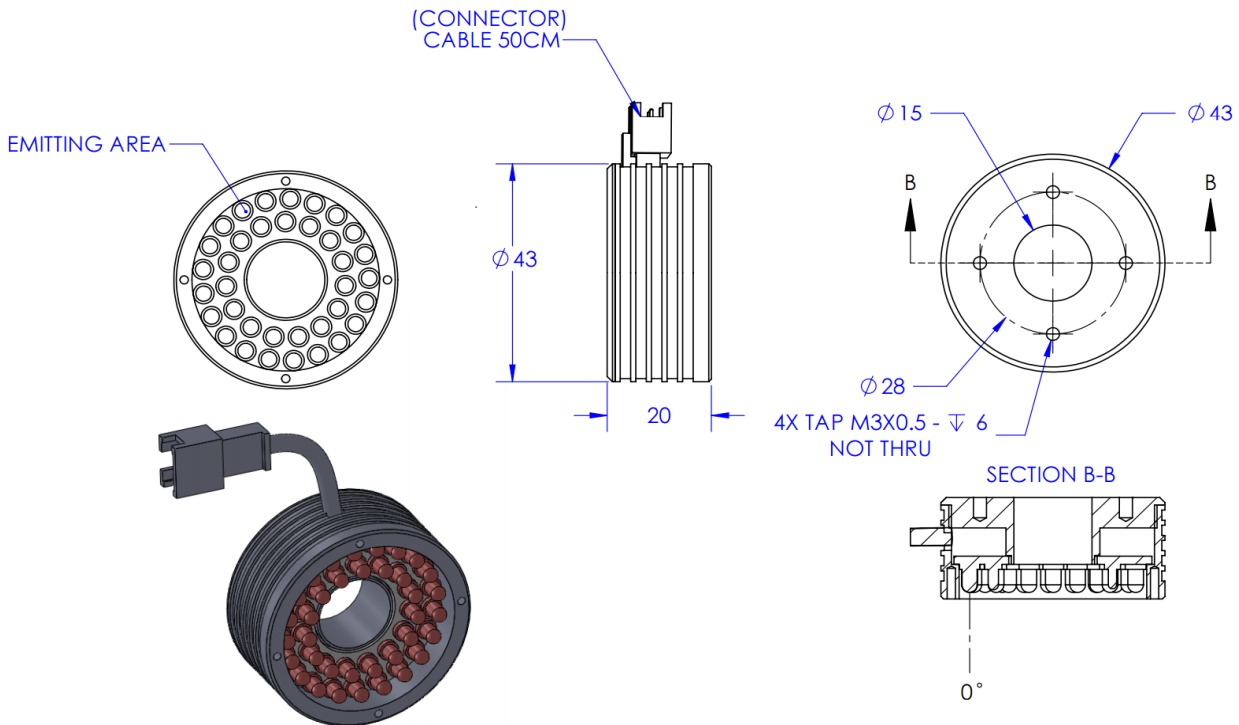




ILLUMINATOR DATA-ID

LSW-00-040-2-G-24V

Lighting Dimension




Mechanical Information	
Casing Material	Aluminium
Storage Temperature Range	Temp 0 - 45°C, Humidity 20-85%
Weight	40 g
Length / Outer Diameter	43 mm
Width / Inner Diameter	15 mm
Thickness / Height	20 mm



ILLUMINATOR DATA-ID

LSW-00-040-2-G-24V

Optical Information						
Part Number		LSW-00-040-2-G-24V				
LED Color		GREEN				
Wavelength	(nm)	525				
Intensity (±15%)	(Lux)	TBA	TBA	TBA	TBA	TBA
Working Distance	(mm)	44	49	54	39	59
Illumination (number of row)		2				
Illumination Active Area						
Active Length / Outer Diameter	(mm)	36				
Active Width / Inner Diameter	(mm)	16				
Emission angle	(deg.)	0				
Eye Safety Class (IEC62471)		EXEMPT				
Electrical Information						
Lighting Supply Voltage (constant voltage mode)		24V ± 2%				
Continuous Current	(mA)	75				
Power Consumption	(W)	1.8				
Lighting casing temperature, Operating after 60 minutes	°C	48.3				
Strobe Mode Specification						
Pulse Operation		YES				
Max. Lighting Supply Voltage (Constant voltage power supply)	(V)	Pulsing at 24VDC to 48VDC, 0-10% Duty Cycle, Recommended at 36VDC				
Pulse Current, (Max. 10msec) (Constant current power supply)	(mA)	225				
Max. Trigger Pulse Duration	(msec)	10				
Duty Cycle		0-10%				
Additional Information						
Additional Cooling Method		Attached to machine part for better heat dissipation				
Intensity Controller Selection		ANG, ST, SD and SDA Series				
CE Conformity		YES				
RoHS Compliance		YES				
Connection						
Connector Type (Default):		JST SMR-03V				
Cable Length out from lighting :	(mm)	500				
Pin Configuration :		Pin	Signal	Cable Color		
		1	LED +	RED		
		2	N.C.	---		
		3	LED -	WHITE		
						
Application						
Illumination Type		Direct Illumination				
Applicattion Use		Substrate inspection, label inspection, flat surface, fiducially recognition.				



VISION CONSULTANCY
MAKING THE UNSEEN VISIBLE

Thank you for downloading this document from
www.machine-vision-shop.com

If you have any questions, you need help composing the
right package for your application or do you want to order?

Feel free to contact us via e-mail at sales@vision-consultancy.nl or visit our webshop.

Our vision experts are happy to help you.



Natascha Overhof



Christian Cromptvoets



VISION CONSULTANCY

Robert Schumandomein 2
6229 ES Maastricht
The Netherlands

+31 (0) 438 522 651

sales@vision-consultancy.nl
www.machine-vision-shop.com

Scan me to visit
[machine-vision-shop](http://machine-vision-shop.com)

