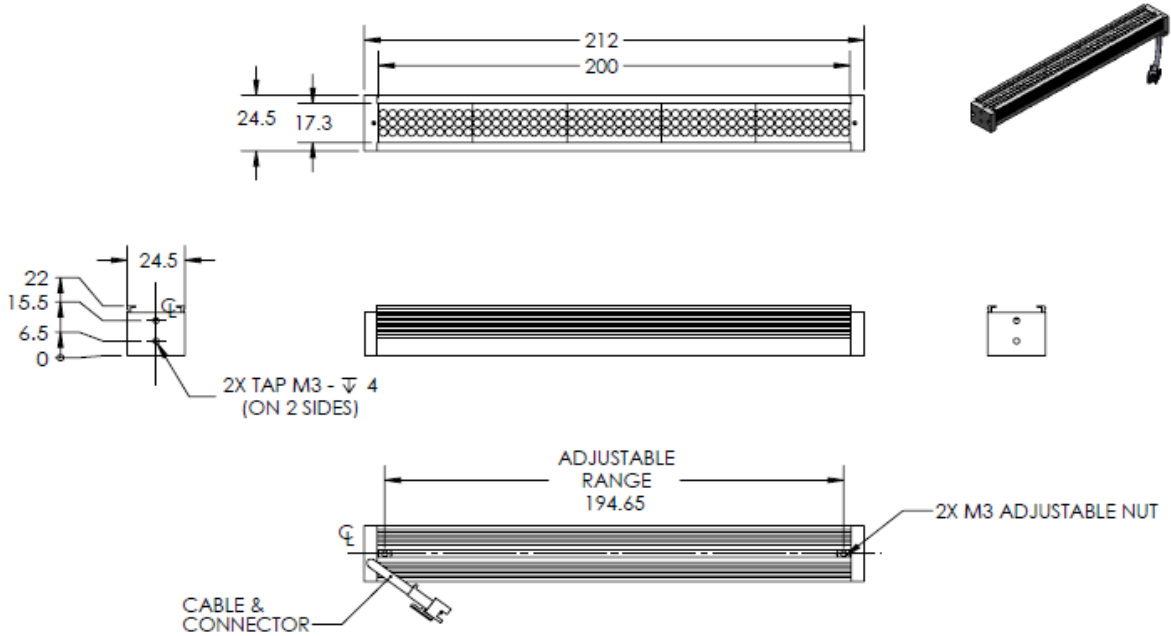




ILLUMINATOR DATA-ID

LBRX-00-200-3-W-12V

Lighting Dimension




Mechanical Information	
Casing Material	Aluminium
Storage Temperature Range	Temp 0-45°C, Humidity 20-85%
Weight	140 g
Length / Outer Diameter	212 mm
Width / Inner Diameter	24.5 mm
Thickness	22 mm



ILLUMINATOR DATA-ID

LBRX-00-200-3-W-12V

Optical Information		LBRX-00-200-3-W-12V								
Part Number		LBRX-00-200-3-W-12V								
LED Color		WHITE								
Wavelength	(nm)	* Refer to the Chromaticity table below								
Intensity	(Lux)	20300	18100	16300						
Working Distance	(mm)	80	90	100						
Illumination (number of row)		3								
Illumination Active Area										
Active Length / Outer Dia.	(mm)	200								
Active Width / Inner Dia.	(mm)	17.3								
Emission angle	(deg.)	0								
Eye Safety Class		EXEMPT								
*CHROMATICITY TABLE										
	X	0.296	0.287	0.307	0.311	X	0.311	0.307	0.33	0.33
	Y	0.276	0.295	0.315	0.294	Y	0.294	0.315	0.339	0.318
Electrical Information										
Lighting Supply Voltage (constant voltage mode)		12V ± 2%								
Continuous Current	(mA)	500								
Power Consumption	(W)	6								
Lighting casing temperature, Operating after 60 minutes	°C	56.9								
Strobe Mode Specification										
Pulse Operation		YES								
Max. Lighting Supply Voltage (Constant voltage power supply)	(V)	Pulsing at 12VDC to 24VDC, 0-10% Duty Cycle Recommended at 18VDC								
Pulse Current, (Max. 10msec) (Constant current power supply)	(mA)	1200								
Max. Trigger Pulse Duration	(msec)	10								
Duty Cycle		0-10%								
Additional Information										
Additional Cooling Method		Attached to machine part for better heat dissipation								
Intensity Controller Selection		ANG, SD, ST and SDA Series								
CE Conformity		YES								
RoHS Compliance		YES								
Connection										
Connector Type (Default):		JST SMR-02V								
Cable Length out from lighting :	(mm)	500								
Pin Configuration :		Pin	Signal	Cable Color						
		1	LED +	RED						
		2	LED -	WHITE						
										
Application										
Illumination Type		Direct Illumination								
Application Use		General illumination, label inspection, character inspection, code recognition								



VISION CONSULTANCY
MAKING THE UNSEEN VISIBLE

Thank you for downloading this document from
www.machine-vision-shop.com

If you have any questions, you need help composing the
right package for your application or do you want to order?

Feel free to contact us via e-mail at sales@vision-consultancy.nl or visit our webshop.

Our vision experts are happy to help you.



Natascha Overhof



Christian Cromptvoets



VISION CONSULTANCY

Robert Schumandomein 2
6229 ES Maastricht
The Netherlands

+31 (0) 438 522 651

sales@vision-consultancy.nl
www.machine-vision-shop.com

Scan me to visit
[machine-vision-shop](http://machine-vision-shop.com)

