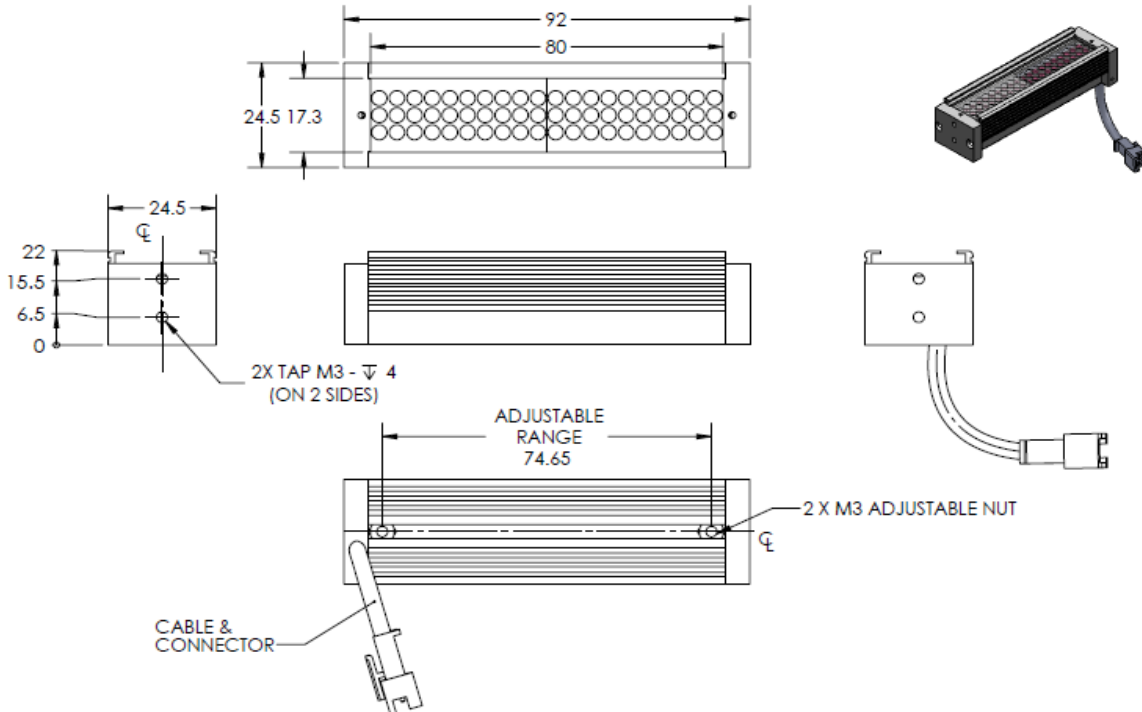




ILLUMINATOR DATA-ID

LBRX-00-080-3-W-12V

Lighting Dimension




Mechanical Information	
Casing Material	Aluminium
Storage Temperature Range	Temp 0-45°C, Humidity 20-85%
Weight	70 g
Length / Outer Diameter	92 mm
Width / Inner Diameter	24.5 mm
Thickness	22 mm



ILLUMINATOR DATA-ID

LBRX-00-080-3-W-12V

Optical Information		LBRX-00-080-3-W-12V			
Part Number		LBRX-00-080-3-W-12V			
LED Color		WHITE			
Wavelength	(nm)	* Refer to the Chromaticity table below			
Intensity	(Lux)	15700	13500	11700	
Working Distance	(mm)	80	90	100	
Illumination (number of row)		3			
Illumination Active Area					
Active Length / Outer Dia.	(mm)	80			
Active Width / Inner Dia.	(mm)	17.3			
Emission angle	(deg.)	0			
Eye Safety Class		EXEMPT			
*CHROMATICITY TABLE					
X	0.296	0.287	0.307	0.311	
Y	0.276	0.295	0.315	0.294	
X	0.311	0.307	0.33	0.33	
Y	0.294	0.315	0.339	0.318	
Electrical Information					
Lighting Supply Voltage (constant voltage mode)		12V ± 2%			
Continuous Current	(mA)	200			
Power Consumption	(W)	2.4			
Lighting casing temperature, Operating after 60 minutes	°C	49.3			
Strobe Mode Specification					
Pulse Operation		YES			
Max. Lighting Supply Voltage (Constant voltage power supply)	(V)	Pulsing at 12VDC to 24VDC, 0-10% Duty Cycle Recommended at 18VDC			
Pulse Current, (Max. 10msec) (Constant current power supply)	(mA)	600			
Max. Trigger Pulse Duration	(msec)	10			
Duty Cycle		0-10%			
Additional Information					
Additional Cooling Method		Attached to machine part for better heat dissipation			
Intensity Controller Selection		ANG, SD, ST and SDA Series			
CE Conformity		YES			
RoHS Compliance		YES			
Connection					
Connector Type (Default):		JST SMR-02V			
Cable Length out from lighting :	(mm)	500			
Pin Configuration :		Pin	Signal	Cable Color	
		1	LED +	RED	
		2	LED -	WHITE	
					
Application					
Illumination Type		Direct Illumination			
Application Use		General illumination, label inspection, character inspection, code recognition			



VISION CONSULTANCY
MAKING THE UNSEEN VISIBLE

Thank you for downloading this document from
www.machine-vision-shop.com

If you have any questions, you need help composing the
right package for your application or do you want to order?

Feel free to contact us via e-mail at sales@vision-consultancy.nl or visit our webshop.

Our vision experts are happy to help you.



Natascha Overhof



Christian Cromptoets



VISION CONSULTANCY

Robert Schumandomein 2
6229 ES Maastricht
The Netherlands

+31 (0) 438 522 651

sales@vision-consultancy.nl
www.machine-vision-shop.com

Scan me to visit
[machine-vision-shop](http://machine-vision-shop.com)

