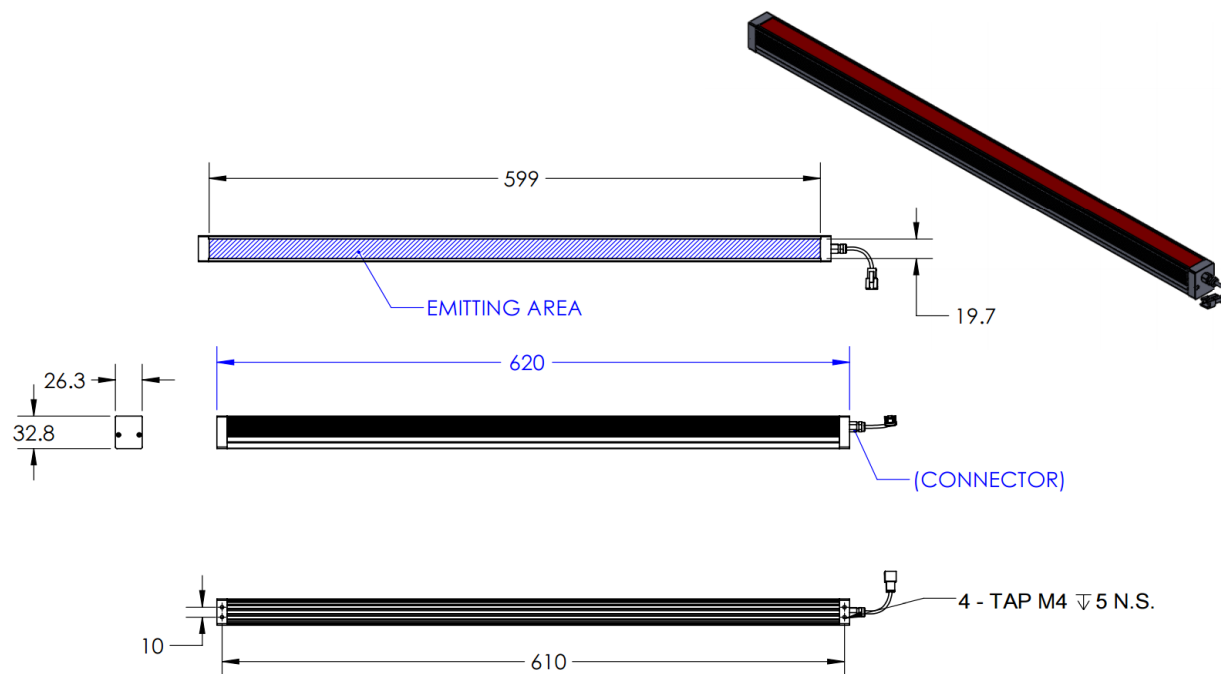




ILLUMINATOR DATA-ID

LBL3-00-600-3-W-24V

Lighting Dimension




Mechanical Information	
Casing Material	Aluminium
Storage Temperature Range	Temp 0-45°C, Humidity 20-85%
Weight	581 g
Length / Outer Diameter	620 mm
Width / Inner Diameter	26.3 mm
Thickness / Height	32.8 mm



ILLUMINATOR DATA-ID

LBL3-00-600-3-W-24V

Optical Information																					
Part Number	LBL3-00-600-3-W-24V																				
LED Color	WHITE																				
Wavelength	(nm) * Refer to the Chromaticity Table Below																				
Intensity (±15%)	(Lux)																				
Working Distance	(mm) 10 20 30																				
Illumination (number of row)	3																				
Illumination Active Area																					
Active Length / Outer Diameter	(mm) 599																				
Active Width / Inner Diameter	(mm) 19.7																				
Emission angle	(deg.) 0																				
Eye Safety Class (IEC62471)	EXEMPT																				
*CHROMATICITY TABLE																					
	<table border="1"> <tr> <td>X</td> <td>0.296</td> <td>0.287</td> <td>0.307</td> <td>0.311</td> <td>X</td> <td>0.311</td> <td>0.307</td> <td>0.33</td> <td>0.33</td> </tr> <tr> <td>Y</td> <td>0.276</td> <td>0.295</td> <td>0.315</td> <td>0.294</td> <td>Y</td> <td>0.294</td> <td>0.315</td> <td>0.339</td> <td>0.318</td> </tr> </table>	X	0.296	0.287	0.307	0.311	X	0.311	0.307	0.33	0.33	Y	0.276	0.295	0.315	0.294	Y	0.294	0.315	0.339	0.318
X	0.296	0.287	0.307	0.311	X	0.311	0.307	0.33	0.33												
Y	0.276	0.295	0.315	0.294	Y	0.294	0.315	0.339	0.318												
Electrical Information																					
Lighting Supply Voltage (constant voltage mode)	24V ± 2%																				
Continuous Current	(mA) 900																				
Power Consumption	(W) 21.6																				
Lighting casing temperature, Operating after 60 minutes	°C																				
Strobe Mode Specification																					
Pulse Operation	YES																				
Max. Lighting Supply Voltage (Constant voltage power supply)	(V) Pulsing at 24VDC to 48VDC, 0-10% Duty Cycle, Recommended at 36VDC																				
Pulse Current, (Max. 10msec) (Constant current power supply)	(mA) 2700																				
Max. Trigger Pulse Duration	(msec) 10																				
Duty Cycle	0-10%																				
Additional Information																					
Additional Cooling Method	Attached to machine part for better heat dissipation																				
Intensity Controller Selection	ANG, SD, ST & SDA Series																				
CE Conformity	YES																				
RoHS Compliance	YES																				
Connection																					
Connector Type (Default):	JST SMR-03V																				
Cable Length out from lighting :	(mm) 500																				
Pin Configuration :	Pin	Signal	Cable Color																		
	1	LED +	RED																		
	2	N.C.	---																		
	3	LED -	WHITE																		
																					
Application																					
Illumination Type	Direct Illumination																				
Applicattion Use	General illumination, label inspection, character inspection, code recognition.																				



VISION CONSULTANCY
MAKING THE UNSEEN VISIBLE

Thank you for downloading this document from
www.machine-vision-shop.com

If you have any questions, you need help composing the
right package for your application or do you want to order?

Feel free to contact us via e-mail at sales@vision-consultancy.nl or visit our webshop.

Our vision experts are happy to help you.



Natascha Overhof



Christian Cromptvoets



VISION CONSULTANCY

Robert Schumandomein 2
6229 ES Maastricht
The Netherlands

+31 (0) 438 522 651

sales@vision-consultancy.nl
www.machine-vision-shop.com

Scan me to visit
[machine-vision-shop](http://machine-vision-shop.com)

