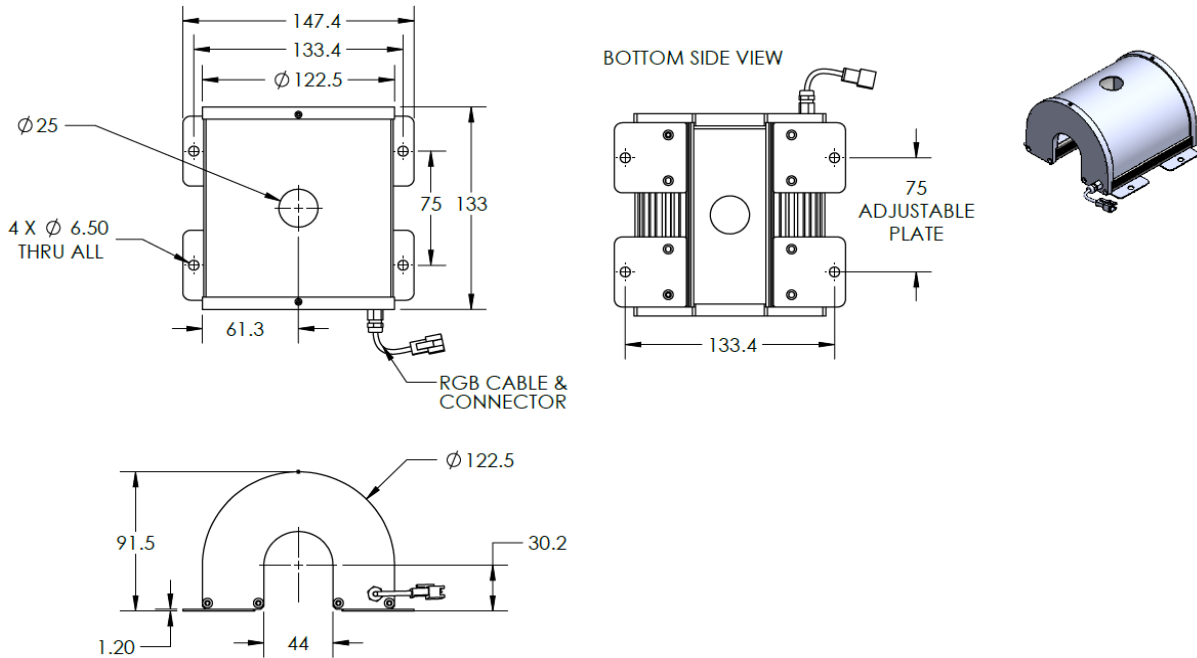




ILLUMINATOR DATA-ID

IDT3-00-120-1-RGB-24V

Lighting Dimension




Mechanical Information	
Casing Material	Aluminium
Storage Temperature Range	Temp 0-45°C, Humidity 20-85%
Weight	710 g
Length / Outer Diameter	133 mm
Width / Inner Diameter	147.4 mm
Thickness / Height	91.5 mm



ILLUMINATOR DATA-ID

IDT3-00-120-1-RGB-24V

Optical Information										
Part Number	IDT3-00-120-1-RGB-24V									
LED Color	RED			GREEN			BLUE			
Wavelength	(nm)	630			525			470		
Intensity (±15%)	(Lux)									
Working Distance	(mm)	40	50	60	40	50	60	40	50	60
Illumination (number of row)	1									
Illumination Active Area										
Active Length / Outer Diameter	(mm)	117								
Active Width / Inner Diameter	(mm)	46								
Emission angle	(deg.)	0								
Eye Safety Class (IEC62471)	EXEMPT			EXEMPT			II			
Electrical Information										
Lighting Supply Voltage (constant voltage mode)	24V ± 2%									
Continuous Current	(mA)	RED	200		GREEN	160		BLUE	160	
Power Consumption	(W)		4.8			3.94			3.84	
Lighting casing temperature, Operating after 60 minutes	°C		51.5			51.5			51.5	
Max. continuous current of RED, GREEN & BLUE LEDs on at the same time	(mA)	RED, GREEN & BLUE LEDs on at the same time are not recommended								
Strobe Mode Specification										
Pulse Operation	YES									
Max. Lighting Supply Voltage (Constant voltage power supply)	(V)	Pulsing at 24VDC to 48VDC, 0-10% Duty Cycle, Recommended at 36VDC								
Pulse Current, (Max. 10msec) (Constant current power supply)	(mA)	RED	600		GREEN	480		BLUE	480	
Max. pulse current of RED, GREEN & BLUE LEDs on at the same time	(V)	RED, GREEN & BLUE LEDs on at the same time are not recommended								
Max. Trigger Pulse Duration	(msec)	10								
Duty Cycle	0-10%									
Additional Information										
Additional Cooling Method	Attached to machine part for better heat dissipation									
Intensity Controller Selection	ANG, SD, ST & SDA Series									
CE Conformity	YES									
RoHS Compliance	YES									
Connection										
Connector Type (Default):	JST SMR-03V									
Cable Length out from lighting :	(mm)	500								
Pin Configuration :		Pin	Signal			Cable Color				
		1	LED +			RED				
		2	N.C.			---				
		3	LED -			WHITE				
										
Application										
Illumination Type	Indirect Illumination									
Applicattion Use	Crack, chip, stains and mark on cylindrical surface or shafts.									



VISION CONSULTANCY
MAKING THE UNSEEN VISIBLE

Thank you for downloading this document from
www.machine-vision-shop.com

If you have any questions, you need help composing the
right package for your application or do you want to order?

Feel free to contact us via e-mail at sales@vision-consultancy.nl or visit our webshop.

Our vision experts are happy to help you.



Natascha Overhof



Christian Cromptvoets



VISION CONSULTANCY

Robert Schumandomein 2
6229 ES Maastricht
The Netherlands

+31 (0) 438 522 651

sales@vision-consultancy.nl
www.machine-vision-shop.com

Scan me to visit
[machine-vision-shop](http://machine-vision-shop.com)

