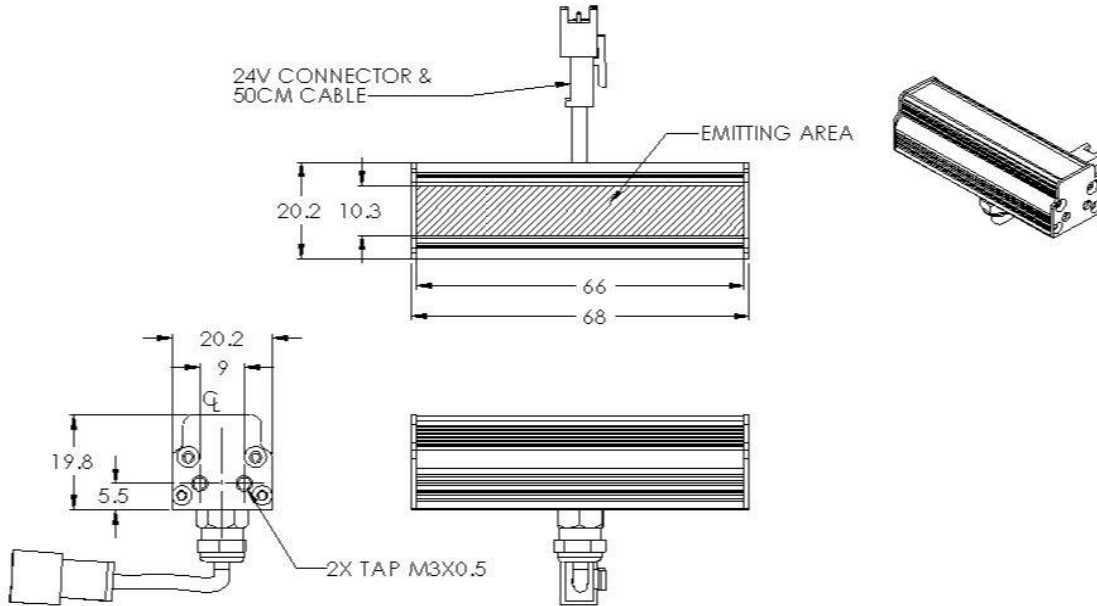




# ILLUMINATOR DATA (ID)

## HLBS2-00-065-1-W-24V

### Lighting Dimension




Mechanical Information	
Casing Material	Aluminium
Storage Temperature Range	Temp 0-45°C, Humidity 20-85%
Weight	85 g
Length / Outer Diameter	68 mm
Width / Inner Diameter	20.2 mm
Thickness / Height	19.8 mm



# ILLUMINATOR DATA (ID)

## HLBS2-00-065-1-W-24V

Optical Information		HLBS2-00-065-1-W-24V																										
Part Number		HLBS2-00-065-1-W-24V																										
LED Color		WHITE																										
Wavelength	(nm)	*Refer to the Chromaticity Table below																										
Intensity (±15)	(Lux)	9800	8150	6400																								
Working Distance	(mm)	200	220	250																								
Illumination (number of row)		1																										
Illumination Active Area																												
Active Length / Outer Dia.	(mm)	66																										
Active Width / Inner Dia.	(mm)	10.3																										
Emission angle	(deg.)	0																										
Eye Safety Class ( IEC62471 )		EXEMPT																										
*CHROMATICITY TABLE		<table border="1"> <tr> <td>X</td> <td>0.296</td> <td>0.287</td> <td>0.307</td> <td>0.311</td> <td></td> <td>X</td> <td>0.311</td> <td>0.307</td> <td>0.33</td> <td>0.33</td> </tr> <tr> <td>Y</td> <td>0.276</td> <td>0.295</td> <td>0.315</td> <td>0.294</td> <td></td> <td>Y</td> <td>0.294</td> <td>0.315</td> <td>0.339</td> <td>0.318</td> </tr> </table>					X	0.296	0.287	0.307	0.311		X	0.311	0.307	0.33	0.33	Y	0.276	0.295	0.315	0.294		Y	0.294	0.315	0.339	0.318
X	0.296	0.287	0.307	0.311		X	0.311	0.307	0.33	0.33																		
Y	0.276	0.295	0.315	0.294		Y	0.294	0.315	0.339	0.318																		
Electrical Information																												
Lighting Supply Voltage (constant voltage mode)		24V ± 2%																										
Continuous Current	(mA)	150																										
Power Consumption	(W)	3.6																										
Lighting casing temperature, Operating after 60 minutes	°C	61.5																										
Strobe Mode Specification																												
Pulse Operation		YES																										
Max. Lighting Supply Voltage (Constant voltage power supply)	(V)	Pulsing at 24VDC to 48VDC, 0-10% Duty Cycle Recommended at 36VDC																										
Pulse Current, (Max. 10msec) (Constant current power supply)	(mA)	450																										
Max. Trigger Pulse Duration	(msec)	10																										
Duty Cycle		0-10%																										
Additional Information																												
Additional Cooling Method		Attached to machine part for better heat dissipation																										
Intensity Controller Selection		ANGX, SD, ST & SDA Series																										
CE Conformity		YES																										
RoHS Compliance		YES																										
Connection																												
Connector Type (Default):		JST SMR-03V																										
Cable Length out from lighting :	(mm)	500																										
Pin Configuration :		Pin	Signal	Cable Color																								
		1	LED +	RED																								
		2	N.C.	---																								
		3	LED -	WHITE																								
																												
Application																												
Illumination Type		Direct Illumination																										
Application Use		Label Inspection, Character Inspection, Code Recognition																										



**VISION CONSULTANCY**  
MAKING THE UNSEEN VISIBLE

Thank you for downloading this document from  
[www.machine-vision-shop.com](http://www.machine-vision-shop.com)

If you have any questions, you need help composing the  
right package for your application or do you want to order?

Feel free to contact us via e-mail at [sales@vision-consultancy.nl](mailto:sales@vision-consultancy.nl) or visit our webshop.

Our vision experts are happy to help you.



Natascha Overhof



Christian Cromptoets



**VISION CONSULTANCY**

Robert Schumandomein 2  
6229 ES Maastricht  
The Netherlands

+31 (0) 438 522 651

[sales@vision-consultancy.nl](mailto:sales@vision-consultancy.nl)  
[www.machine-vision-shop.com](http://www.machine-vision-shop.com)

Scan me to visit  
[machine-vision-shop](http://machine-vision-shop.com)

