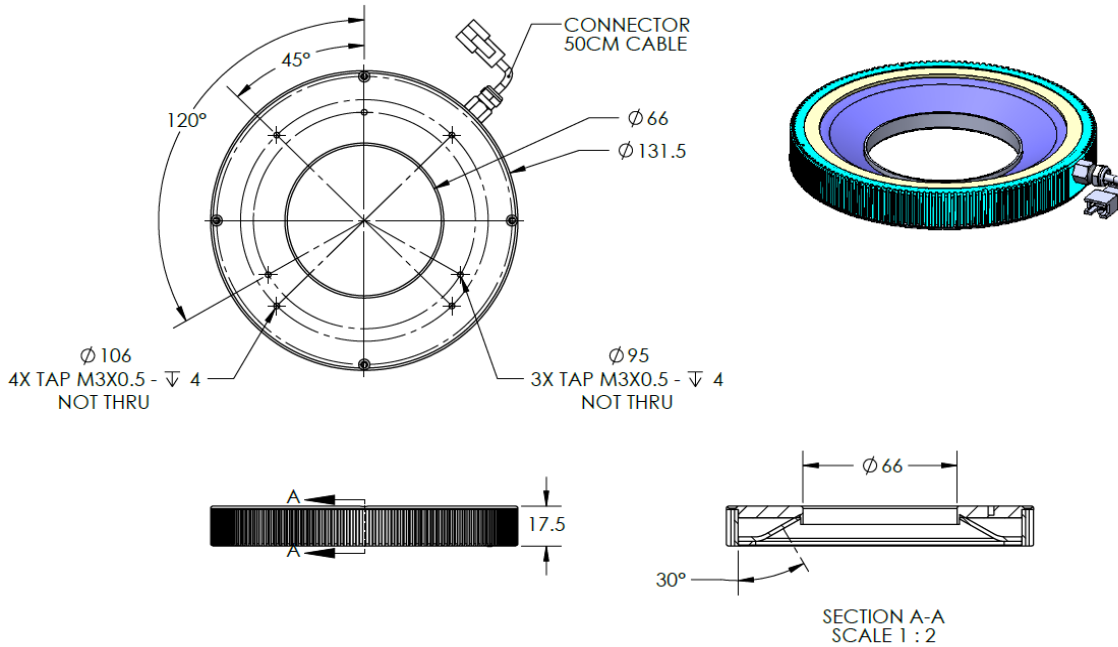




ILLUMINATOR DATA-ID

DFR4-30-130-1-G-24V

Lighting Dimension




Mechanical Information	
Casing Material	Aluminium
Storage Temperature Range	Temp 0-45°C, Humidity 20-85%
Weight	355 g
Length / Outer Diameter	131.5 mm
Width / Inner Diameter	66 mm
Thickness / Height	17.5 mm



ILLUMINATOR DATA-ID

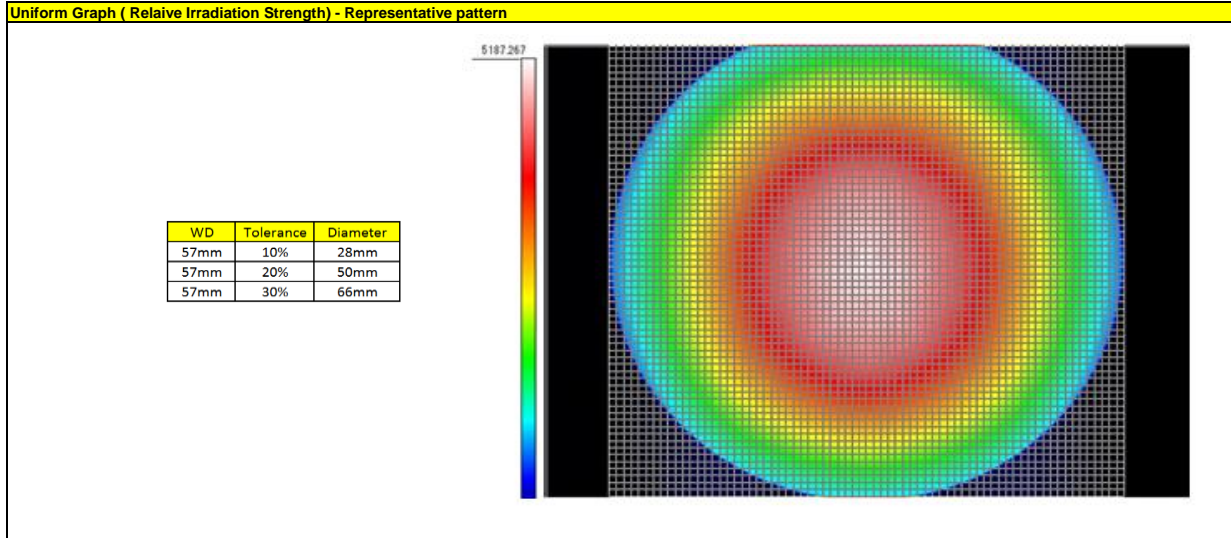
DFR4-30-130-1-G-24V

Optical Information			
Part Number	DFR4-30-130-1-G-24V		
LED Color	GREEN		
Wavelength (nm)	525		
Intensity (±15%) (Lux)	20476	17409	13348
Working Distance (mm)	57	68	85
Illumination (number of row)	1		
Illumination Active Area			
Active Length / Outer Diameter (mm)	121.3		
Active Width / Inner Diameter (mm)	62		
Emission angle (deg.)	30		
Eye Safety Class (IEC62471)	EXEMPT		
*CHROMATICITY TABLE			
Electrical Information			
Lighting Supply Voltage (constant voltage mode)	24V ± 2%		
Continuous Current (mA)	299		
Power Consumption (W)	7.18		
Lighting casing temperature, Operating after 60 minutes (°C)	53		
Strobe Mode Specification			
Pulse Operation	YES		
Max. Lighting Supply Voltage (Constant voltage power supply) (V)	Pulsing at 24VDC to 48VDC, 0-10% Duty Cycle Recommended at 36VDC		
Pulse Current, (Max. 10msec) (Constant current power supply) (mA)	897		
Max. Trigger Pulse Duration (msec)	10		
Duty Cycle	0-10%		
Additional Information			
Additional Cooling Method	Attached to machine part for better heat dissipation		
Intensity Controller Selection	ANG, ST, SD and SDA Series		
CE Conformity	YES		
RoHS Compliance	YES		
Connection			
Connector Type (Default):	JST SMR-03V		
Cable Length out from lighting : (mm)	500		
Pin Configuration :	Pin	Signal	Cable Color
	1	LED +	RED
	2	N.C.	---
	3	LED -	WHITE
			
Application			
Illumination Type	Diffused Illumination		
Appliction Use	Printed character on IC chips, PCB component, printing on caps, and wafer OCR inspection.		



ILLUMINATOR DATA-ID

DFR4-30-130-1-G-24V





VISION CONSULTANCY
MAKING THE UNSEEN VISIBLE

Thank you for downloading this document from
www.machine-vision-shop.com

If you have any questions, you need help composing the
right package for your application or do you want to order?

Feel free to contact us via e-mail at sales@vision-consultancy.nl or visit our webshop.

Our vision experts are happy to help you.



Natascha Overhof



Christian Cromptvoets



VISION CONSULTANCY

Robert Schumandomein 2
6229 ES Maastricht
The Netherlands

+31 (0) 438 522 651

sales@vision-consultancy.nl
www.machine-vision-shop.com

Scan me to visit
[machine-vision-shop](http://machine-vision-shop.com)

