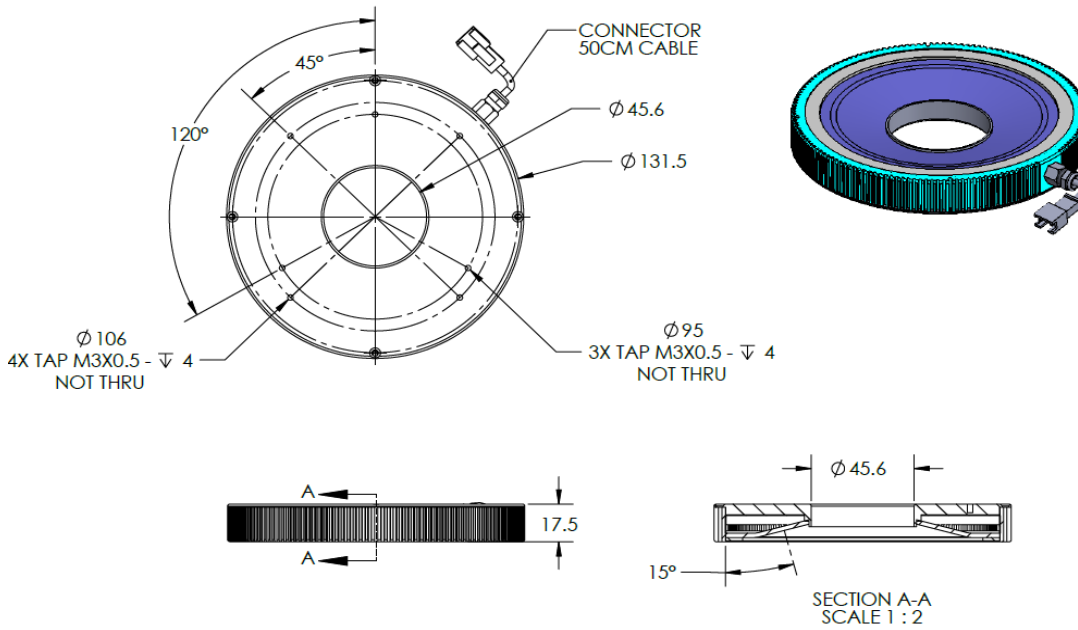




# ILLUMINATOR DATA-ID

## DFR4-15-130-1-R-24V

### Lighting Dimension




Mechanical Information	
Casing Material	Aluminium
Storage Temperature Range	Temp 0-45°C, Humidity 20-85%
Weight	210 g
Length / Outer Diameter	131.5 mm
Width / Inner Diameter	45.6 mm
Thickness / Height	17.5 mm



# ILLUMINATOR DATA-ID

## DFR4-15-130-1-R-24V

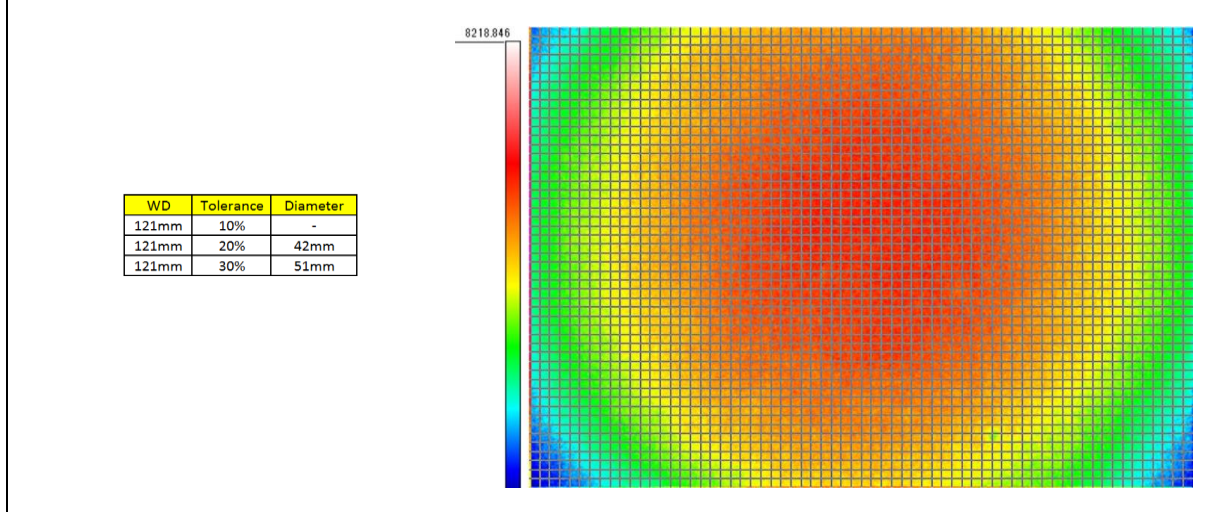
Optical Information				
Part Number		DFR4-15-130-1-R-24V		
LED Color		RED		
Wavelength	(nm)	650		
Intensity (±15%)	(Lux)	3530		
Working Distance	(mm)	65		
Illumination (number of row)		1		
Illumination Active Area				
Active Length / Outer Diameter	(mm)	121.3		
Active Width / Inner Diameter	(mm)	47.6		
Emission angle	(deg.)	15		
Eye Safety Class ( IEC62471 )		EXEMPT		
<b>Electrical Information</b>				
Lighting Supply Voltage (constant voltage mode)		24V ± 2%		
Continuous Current	(mA)	300		
Power Consumption	(W)	7.2		
Lighting casing temperature, Operating after 60 minutes	°C	53		
<b>Strobe Mode Specification</b>				
Pulse Operation		YES		
Max. Lighting Supply Voltage (Constant voltage power supply)	(V)	Pulsing at 24VDC to 48VDC, 0-10% Duty Cycle Recommended at 36VDC		
Pulse Current, (Max. 10msec) (Constant current power supply)	(mA)	900		
Max. Trigger Pulse Duration	(msec)	10		
Duty Cycle		0-10%		
<b>Additional Information</b>				
Additional Cooling Method		Attached to machine part for better heat dissipation		
Intensity Controller Selection		ANG, ST, SD and SDA Series		
CE Conformity		YES		
RoHS Compliance		YES		
<b>Connection</b>				
Connector Type (Default):		JST SMR-03V		
Cable Length out from lighting :	(mm)	500		
Pin Configuration :		Pin	Signal	Cable Color
		1	LED +	RED
		2	N.C.	---
		3	LED -	WHITE
				
<b>Application</b>				
Illumination Type		Diffused Illumination		
Appication Use		Printed character on IC chips, PCB component, printing on caps, and wafer OCR inspection.		



# ILLUMINATOR DATA-ID

## DFR4-15-130-1-R-24V

Uniform Graph ( Relative Irradiation Strength) - Representative pattern





**VISION CONSULTANCY**  
MAKING THE UNSEEN VISIBLE

Thank you for downloading this document from  
[www.machine-vision-shop.com](http://www.machine-vision-shop.com)

If you have any questions, you need help composing the  
right package for your application or do you want to order?

Feel free to contact us via e-mail at [sales@vision-consultancy.nl](mailto:sales@vision-consultancy.nl) or visit our webshop.

Our vision experts are happy to help you.



Natascha Overhof



Christian Cromptoets



**VISION CONSULTANCY**

Robert Schumandomein 2  
6229 ES Maastricht  
The Netherlands

+31 (0) 438 522 651

[sales@vision-consultancy.nl](mailto:sales@vision-consultancy.nl)  
[www.machine-vision-shop.com](http://www.machine-vision-shop.com)

Scan me to visit  
[machine-vision-shop](http://machine-vision-shop.com)

