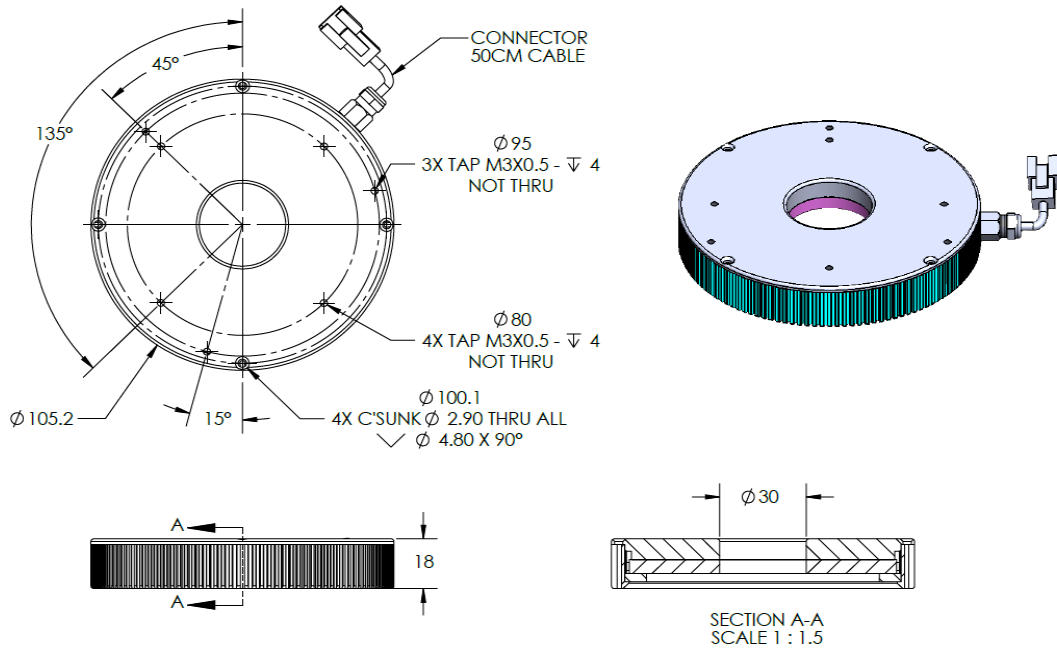




ILLUMINATOR DATA-ID

DFR4-00-100-1-W-24V

Lighting Dimension




Mechanical Information	
Casing Material	Aluminium
Storage Temperature Range	Temp 0-45°C, Humidity 20-85%
Weight	160 g
Length / Outer Diameter	105.2 mm
Width / Inner Diameter	30 mm
Thickness / Height	18 mm



ILLUMINATOR DATA-ID

DFR4-00-100-1-W-24V

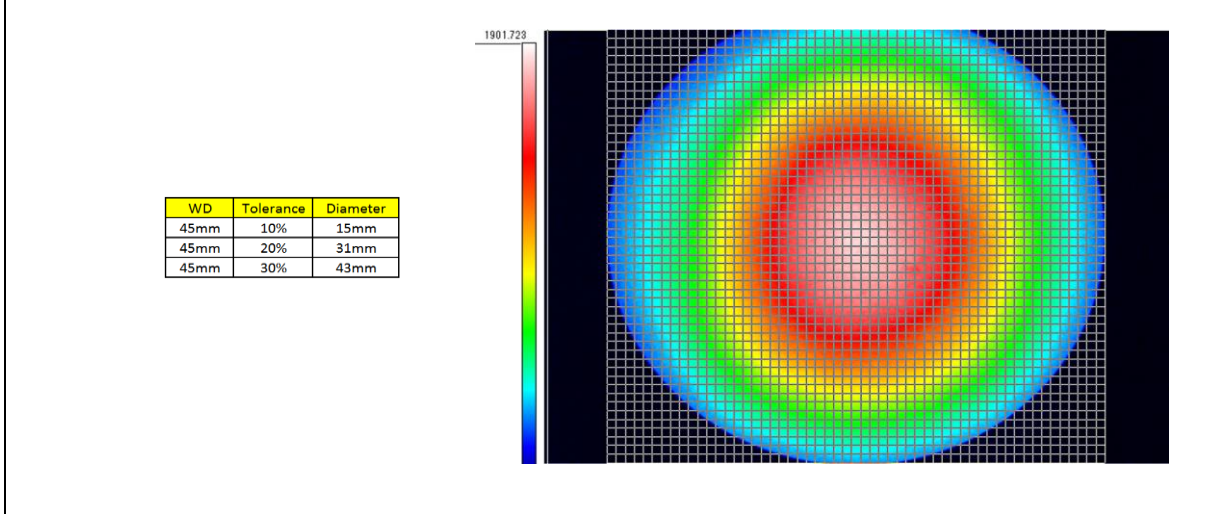
Optical Information											
Part Number		DFR4-00-100-1-W-24V									
LED Color		WHITE									
Wavelength	(nm)	*Refer to the Chromaticity Table below									
Intensity (±15%)	(Lux)	25560	23146	20874							
Working Distance	(mm)	40	45	50							
Illumination (number of row)		1									
Illumination Active Area											
Active Length / Outer Diameter	(mm)	95.8									
Active Width / Inner Diameter	(mm)	30									
Emission angle	(deg.)	0									
Eye Safety Class (IEC62471)		EXEMPT									
*CHROMATICITY TABLE		X	0.296	0.287	0.307	0.311	X	0.311	0.307	0.33	0.33
		Y	0.276	0.295	0.315	0.294	Y	0.294	0.315	0.339	0.318
Electrical Information											
Lighting Supply Voltage (constant voltage mode)		24V ± 2%									
Continuous Current	(mA)	225									
Power Consumption	(W)	5.4									
Lighting casing temperature, Operating after 60 minutes	°C	48									
Strobe Mode Specification											
Pulse Operation		YES									
Max. Lighting Supply Voltage (Constant voltage power supply)	(V)	Pulsing at 24VDC to 48VDC, 0-10% Duty Cycle Recommended at 36VDC									
Pulse Current, (Max. 10msec) (Constant current power supply)	(mA)	675									
Max. Trigger Pulse Duration	(msec)	10									
Duty Cycle		0-10%									
Additional Information											
Additional Cooling Method		Attached to machine part for better heat dissipation									
Intensity Controller Selection		ANG, ST, SD and SDA Series									
CE Conformity		YES									
RoHS Compliance		YES									
Connection											
Connector Type (Default):		JST SMR-03V									
Cable Length out from lighting :	(mm)	500									
Pin Configuration :		Pin	Signal	Cable Color							
		1	LED +	RED							
		2	N.C.	---							
		3	LED -	WHITE							
											
Application											
Illumination Type		Diffused Illumination									
Application Use		Printed character on IC chips, PCB component, printing on caps, and wafer OCR inspection.									



ILLUMINATOR DATA-ID

DFR4-00-100-1-W-24V

Uniform Graph (Relative Irradiation Strength) - Representative pattern





VISION CONSULTANCY
MAKING THE UNSEEN VISIBLE

Thank you for downloading this document from
www.machine-vision-shop.com

If you have any questions, you need help composing the
right package for your application or do you want to order?

Feel free to contact us via e-mail at sales@vision-consultancy.nl or visit our webshop.

Our vision experts are happy to help you.



Natascha Overhof



Christian Cromptvoets



VISION CONSULTANCY

Robert Schumandomein 2
6229 ES Maastricht
The Netherlands

+31 (0) 438 522 651

sales@vision-consultancy.nl
www.machine-vision-shop.com

Scan me to visit
[machine-vision-shop](http://machine-vision-shop.com)

