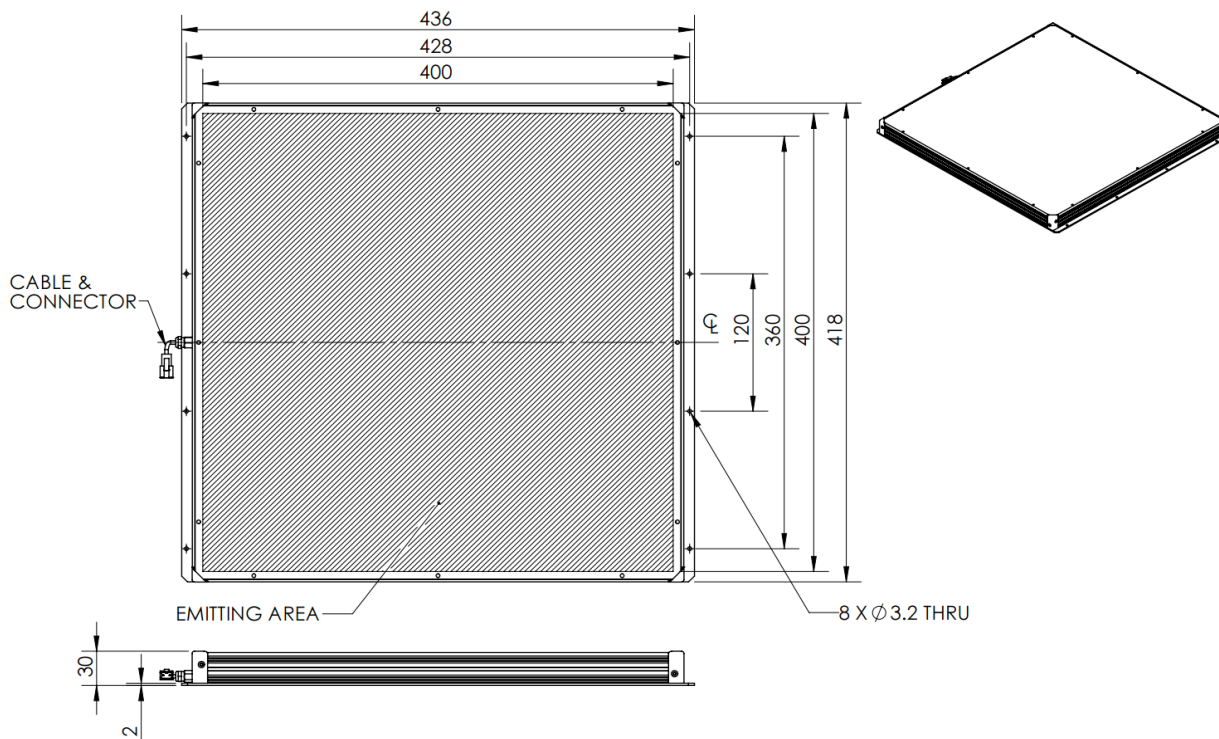




# ILLUMINATOR DATA-ID

## BHLX3-00-400X400-X-IR850-24V

### Lighting Dimension




Mechanical Information	
Casing Material	Aluminium
Storage Temperature Range	Temp 0-45°C, Humidity 20-85%
Weight	2800 g
Length / Outer Diameter	436 mm
Width / Inner Diameter	418 mm
Thickness / Height	30 mm



# ILLUMINATOR DATA-ID

## BHLX3-00-400X400-X-IR850-24V

Optical Information			
Part Number	BHLX3-00-400X400-X-IR850-24V		
LED Color	IR		
Wavelength	(nm)	850	
Intensity (±15%)	(Lux)	NA	
Working Distance	(mm)	NA	
Illumination (number of row)			
Illumination Active Area			
Active Length / Outer Diameter	(mm)	400	
Active Width / Inner Diameter	(mm)	400	
Emission angle	(deg.)	0	
Eye Safety Class ( IEC62471 )	EXEMPT		
Electrical Information			
Lighting Supply Voltage (constant voltage mode)	24V ± 2%		
Continuous Current	(mA)	3250	
Power Consumption	(W)	78	
Lighting casing temperature, Operating after 60 minutes	°C	TBA	
Strobe Mode Specification			
Pulse Operation	YES		
Max. Lighting Supply Voltage (Constant voltage power supply)	(V)	Pulsing at 24VDC to 48VDC, 0-10% Duty Cycle	Recommended at 36VDC
Pulse Current, (Max. 10msec) (Constant current power supply)	(mA)	9750	
Max. Trigger Pulse Duration	(msec)	10	
Duty Cycle	0-10%		
Additional Information			
Additional Cooling Method	Attached to machine part for better heat dissipation		
Intensity Controller Selection	ANGX, SD & ST Series		
CE Conformity	YES		
RoHS Compliance	YES		
Connection			
Connector Type (Default):	JST SMR-03V		
Cable Length out from lighting :	(mm)	500	
Pin Configuration :	Pin	Signal	Cable Color
	1	LED +	RED
	2	N.C.	---
	3	LED -	WHITE
			
Application			
Illumination Type	Backlight Illumination		
Appcattion Use	Lead frame inspection, shape recognition, size measurement.		



**VISION CONSULTANCY**  
MAKING THE UNSEEN VISIBLE

Thank you for downloading this document from  
[www.machine-vision-shop.com](http://www.machine-vision-shop.com)

If you have any questions, you need help composing the  
right package for your application or do you want to order?

Feel free to contact us via e-mail at [sales@vision-consultancy.nl](mailto:sales@vision-consultancy.nl) or visit our webshop.

Our vision experts are happy to help you.



Natascha Overhof



Christian Cromptvoets



**VISION CONSULTANCY**

Robert Schumandomein 2  
6229 ES Maastricht  
The Netherlands

+31 (0) 438 522 651

[sales@vision-consultancy.nl](mailto:sales@vision-consultancy.nl)  
[www.machine-vision-shop.com](http://www.machine-vision-shop.com)

Scan me to visit  
[machine-vision-shop](http://machine-vision-shop.com)

