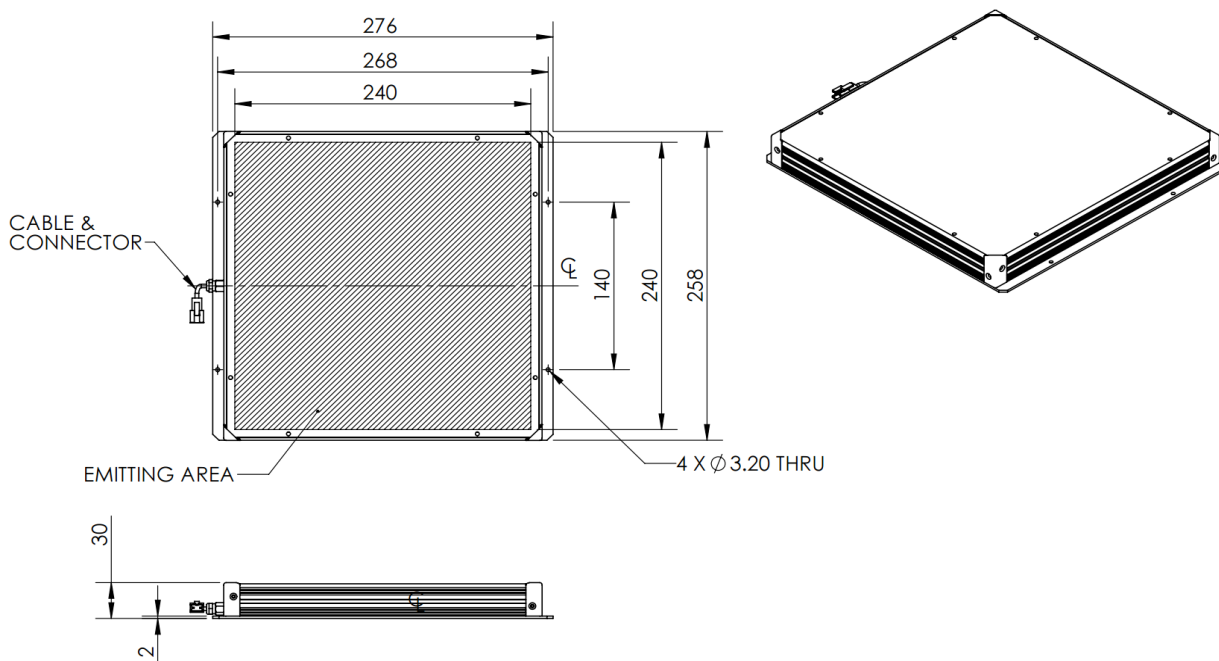




# ILLUMINATOR DATA-ID

## BHLX3-00-240X240-X-IR850-24V

### Lighting Dimension




Mechanical Information	
Casing Material	Aluminium
Storage Temperature Range	Temp 0-45°C, Humidity 20-85%
Weight	1170 g
Length / Outer Diameter	276 mm
Width / Inner Diameter	258 mm
Thickness / Height	30 mm



# ILLUMINATOR DATA-ID

## BHLX3-00-240X240-X-IR850-24V

Optical Information			
Part Number		BHLX3-00-240X240-X-IR850-24V	
LED Color		IR	
Wavelength	(nm)	850	
Intensity (±15%)	(Lux)	NA	
Working Distance	(mm)	NA	
Illumination (number of row)			
Illumination Active Area			
Active Length / Outer Diameter	(mm)	240	
Active Width / Inner Diameter	(mm)	240	
Emission angle	(deg.)	0	
Eye Safety Class ( IEC62471 )		EXEMPT	
Electrical Information			
Lighting Supply Voltage (constant voltage mode)		24V ± 2%	
Continuous Current	(mA)	1170	
Power Consumption	(W)	28.08	
Lighting casing temperature, Operating after 60 minutes	°C	TBA	
Strobe Mode Specification			
Pulse Operation		YES	
Max. Lighting Supply Voltage (Constant voltage power supply)	(V)	Pulsing at 24VDC to 48VDC, 0-10% Duty Cycle	Recommended at 36VDC
Pulse Current, (Max. 10msec) (Constant current power supply)	(mA)	3510	
Max. Trigger Pulse Duration	(msec)	10	
Duty Cycle		0-10%	
Additional Information			
Additional Cooling Method		Attached to machine part for better heat dissipation	
Intensity Controller Selection		ANGX, SD, ST & SDA Series	
CE Conformity		YES	
RoHS Compliance		YES	
Connection			
Connector Type (Default):		JST SMR-03V	
Cable Length out from lighting :	(mm)	500	
Pin Configuration :		Pin	Signal
		1	LED +
		2	N.C.
		3	LED -
			Cable Color
			RED
			---
			WHITE
			
Application			
Illumination Type		Backlight Illumination	
Appcattion Use		Lead frame inspection, shape recognition, size measurement.	



**VISION CONSULTANCY**  
MAKING THE UNSEEN VISIBLE

Thank you for downloading this document from  
[www.machine-vision-shop.com](http://www.machine-vision-shop.com)

If you have any questions, you need help composing the  
right package for your application or do you want to order?

Feel free to contact us via e-mail at [sales@vision-consultancy.nl](mailto:sales@vision-consultancy.nl) or visit our webshop.

Our vision experts are happy to help you.



Natascha Overhof



Christian Cromptoets



**VISION CONSULTANCY**

Robert Schumandomein 2  
6229 ES Maastricht  
The Netherlands

+31 (0) 438 522 651

[sales@vision-consultancy.nl](mailto:sales@vision-consultancy.nl)  
[www.machine-vision-shop.com](http://www.machine-vision-shop.com)

Scan me to visit  
[machine-vision-shop](http://machine-vision-shop.com)

